

Mono Flip Top 180 Trolley – 4500

WARNING ! THIS IS NOT A TOY !

WARNING ! CHILDREN SHOULD NOT OPERATE THE FLIP TOP 180!

WARNING ! THE FLIP TOP 180 MUST BE IN THE LOWEST POSITION WHEN MOVING IT AROUND!

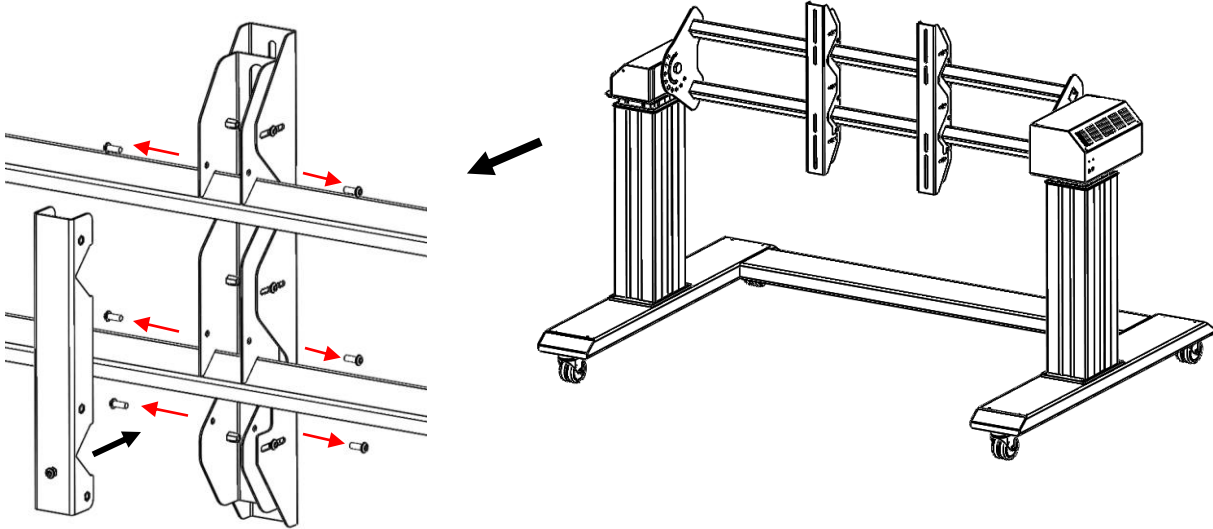
Safety instructions

Use the following safety guidelines to help protect your lift from potential damage and to ensure your own personal safety.

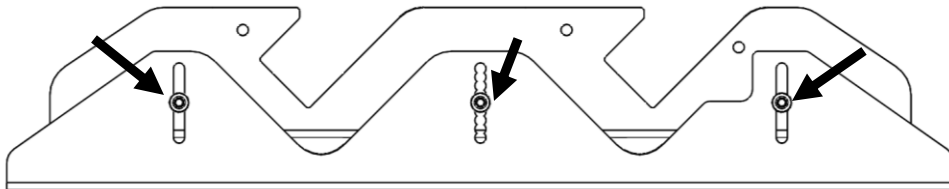
- Read all the installation instructions before testing or installing your Flip top 180.
- Read and follow all safety instructions.
- Keep the optional remote control out of reach of children.
- To prevent bodily injury, keep hands and clothing away from the flip top 180 while the flip top 180 is in operation.
- Before installing the flip top 180 or working with its connections, unplug the Flip top 180 from the mains power supply socket
- Do not place the flip top 180 in places subject to extreme temperatures for example near a radiator, or heating vent.
- The flip top 180 must only be used in a dry area and it must be ensured before use that the it is safe or protected from liquid contact or spillage.
- Unplug the flip top 180 IMMEDIATELY in the following conditions:
 - When the power cord or plug is damaged or frayed.
 - If liquid has spilled into the flip top 180
 - If the lift has been exposed to rain or water.
 - If the lift exhibits a distinct change in performance, indicating a need for servicing.
- When adding a TV or any other equipment the party adding this TV or equipment is responsible for stability and security.
- The flip top 180 should only be used on a flat floor area.

Screen installation

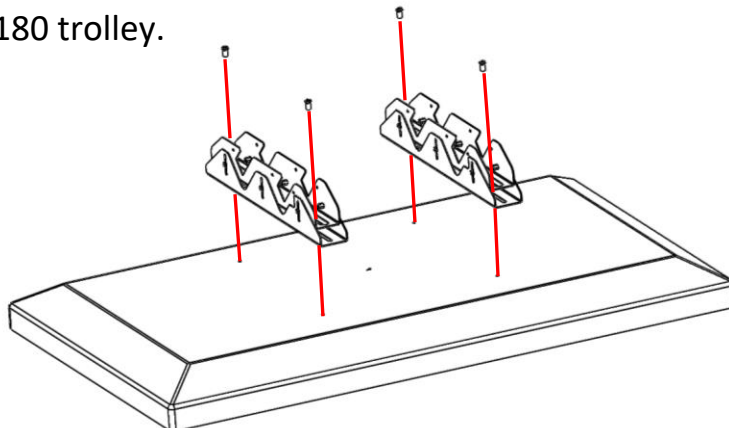
1. Remove the brackets from the tilting frame by unscrewing the six M6 bolts indicated on each bracket and remove the rear part of both brackets.



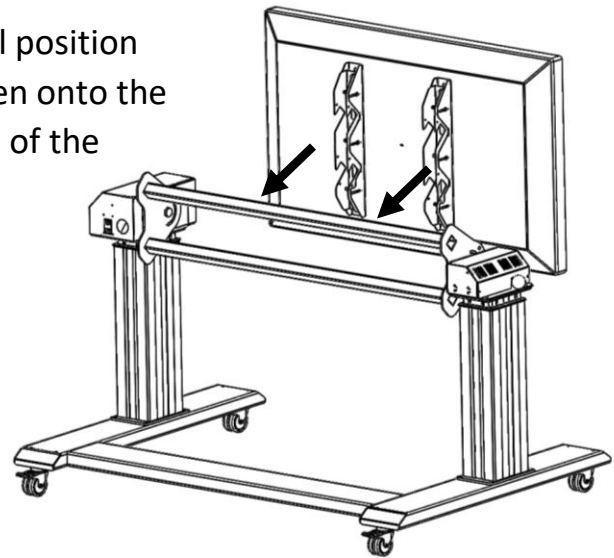
2. The brackets are adjustable in 9 increments of 5mm, offering adjustment of up to 40mm. Set both the brackets in the middle position.



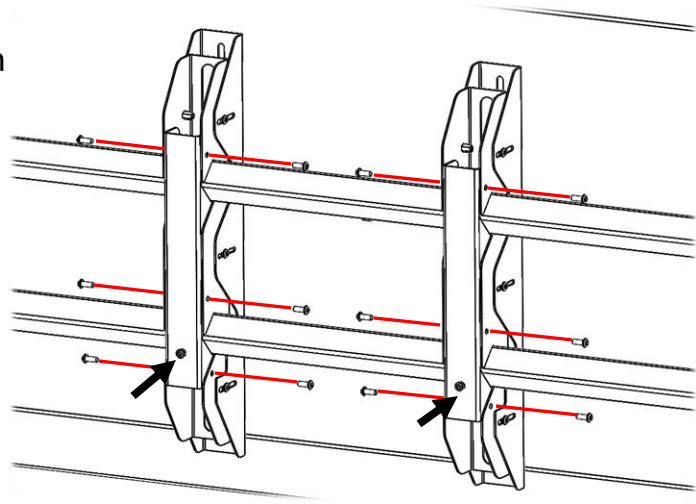
3. Position the brackets centrally on the back of the screen and secure in place. If the brackets are not mounted centrally the screen will not balance correctly on the Flip 180 trolley.



4. Check that the tilting frame is in the vertical position and the casters locked. Then hook the screen onto the rails of the tilting frame, adjust the position of the screen so that it sits centrally on the rails.



5. Bolt the rear part of the brackets in place using six M6 bolts for each bracket, then tighten the bolt indicated to prevent the screen sliding. It is essential that the six M6 bolts are properly fastened.

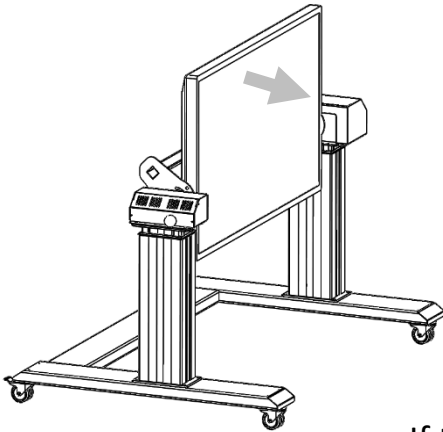


Adjusting the balance of the screen

The screen **MUST** be balanced to allow the Flip 180 trolley to be operated safely, in most instances the balance of the screen will need to be adjusted. Lock the casters before testing.

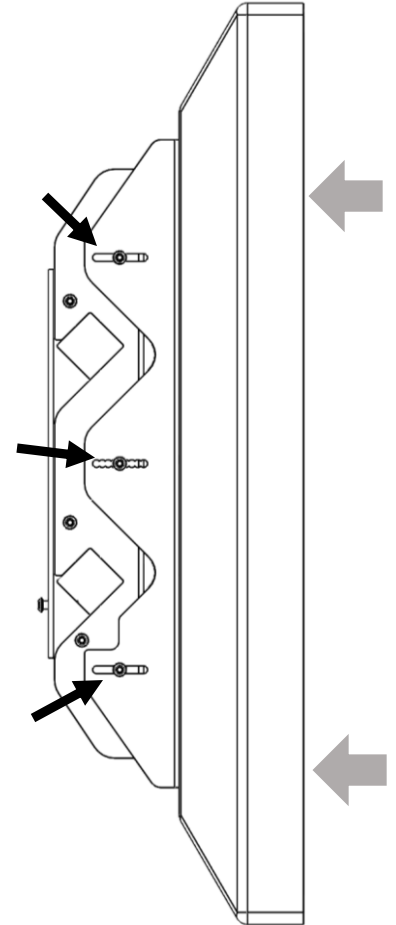
6. With the screen in the vertical position check the balance of the screen by holding the screen in one hand and pulling out the plunger with the other. If the screen feels like it pulls backwards or forwards on its own further adjustment will be required. If the screen pulls forwards move to step 7, if the screen pulls backwards move to step 8.

7. Screen pulls **Forwards**



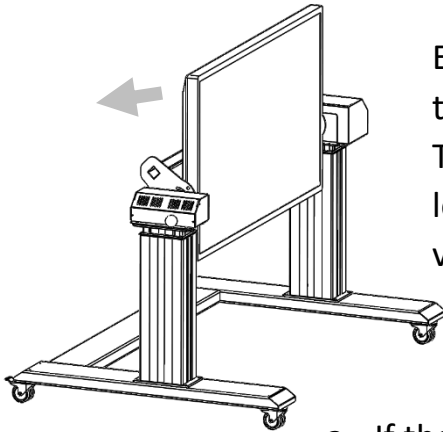
Each bracket has six slots which allow the depth of the bracket to be adjusted, the middle slot is notched in 5mm increments. The bolt in the top and bottom slots should only ever be loosened slightly not fully removed. Screen must be locked in vertical position when adjusting.

- If the screen pulls forwards slightly loosen the M6 bolts in the top and bottom slots of the brackets and remove the bolts from the middle
- Move the screen back 5mm (one notch of the middle slot), reducing the depth of the bracket*.
- Re-tighten the bolts in the top and bottom slots and screw the bolts back into the middle slots.
- Test the balance of the screen again as stated in step 6, if the screen still pulls forwards repeat step 7 again.



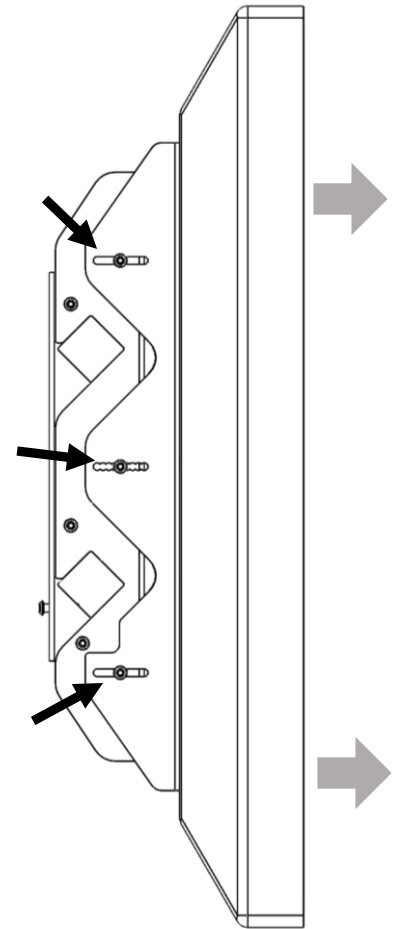
*Make sure the screen does not tilt when adjusting the bracket.

8. Screen pulls **Backwards**



Each bracket has six slots which allow the depth of the bracket to be adjusted, the middle slot is notched in 5mm increments. The bolt in the top and bottom slots should only ever be loosened slightly not fully removed. Screen must be locked in vertical position when adjusting.

- If the screen pulls backwards slightly loosen the M6 bolts in the top and bottom slots of the brackets and remove the bolts from
- Move the screen forwards 5mm (one notch of the middle slot), increasing the depth of the bracket*.
- Re-tighten the bolts in the top and bottom slots and screw the bolts back into the middle slots.
- Test the balance of the screen again as stated in step 6, if the screen still pulls backwards repeat the step 8 again.

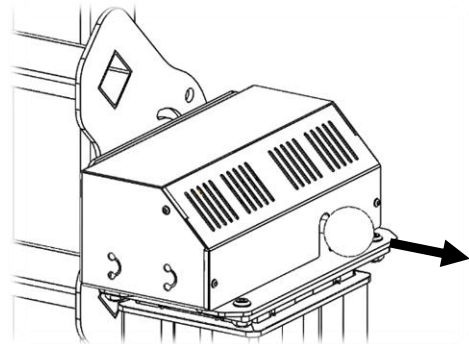


*Make sure the screen does not tilt when adjusting the bracket.

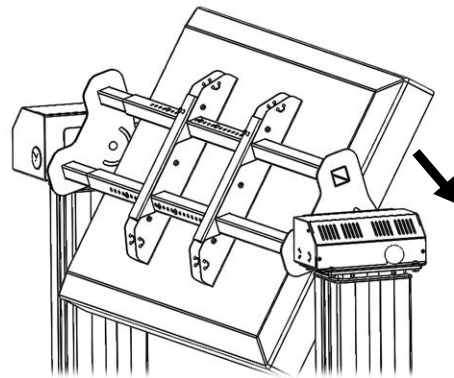
9. When installing cables for the screen check that the cables do not obstruct the movement of the tilting frame in any position and route any cables away from the pivot points.

Operating instructions

1. Before operating the tilting mechanism check that the casters are locked and the screen will be able to move without obstruction.
2. Hold the screen with one hand and pull out the plunger pin with the other.



3. Move the screen into the desired position and then release the plunger pin, before letting go of the screen check that the plunger pin has locked the screen securely in position. (The screen locks at 22.5 degree increments)



4. The height of the screen is adjusted using the up and down arrows on the headbox.

**The Flip Top 180 trolley must be used on a flat surface and must be moved in the lowered position. When operating the trolley always check your surroundings for obstructions and keep hands and clothing clear of the tilting mechanism..*