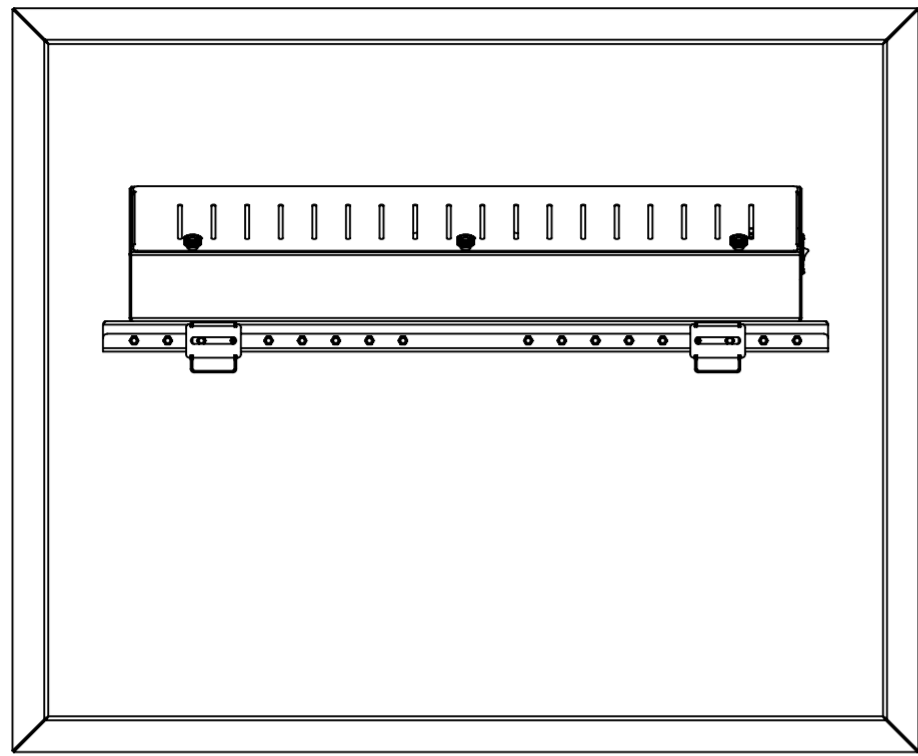


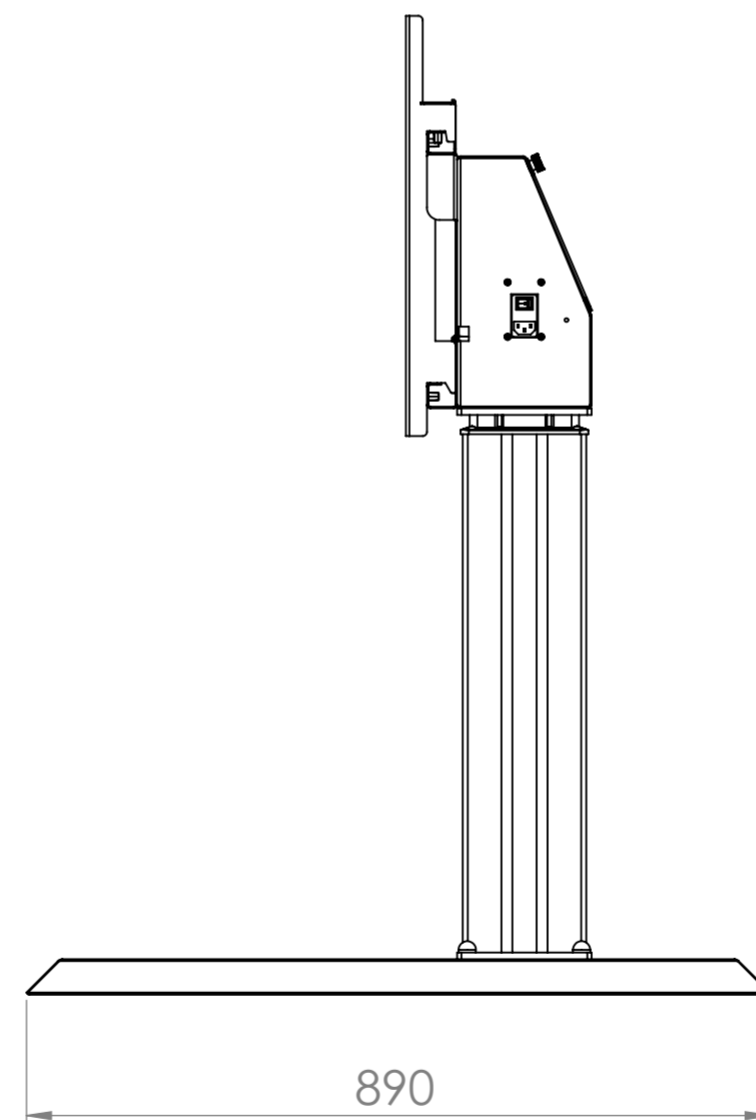
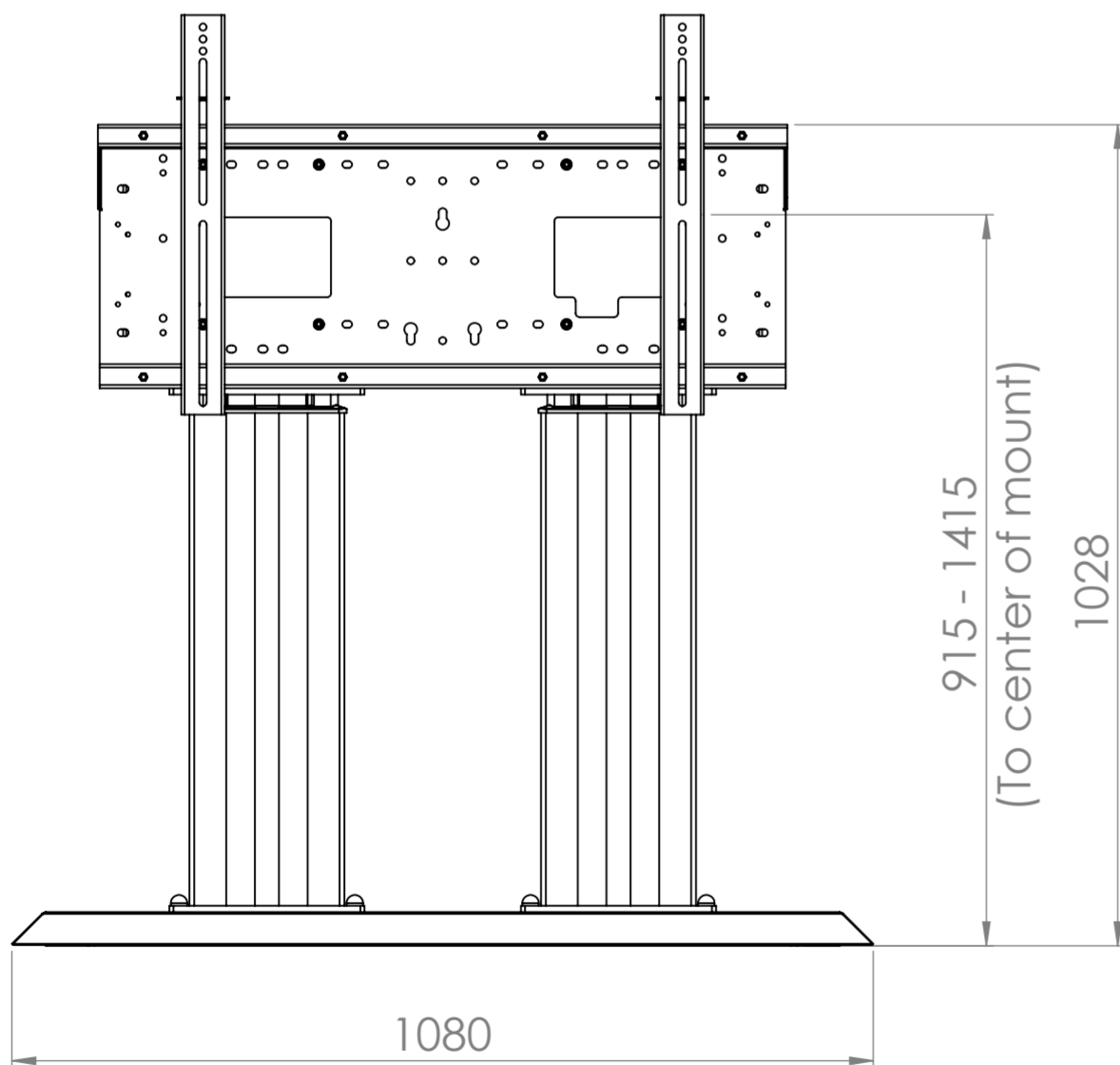
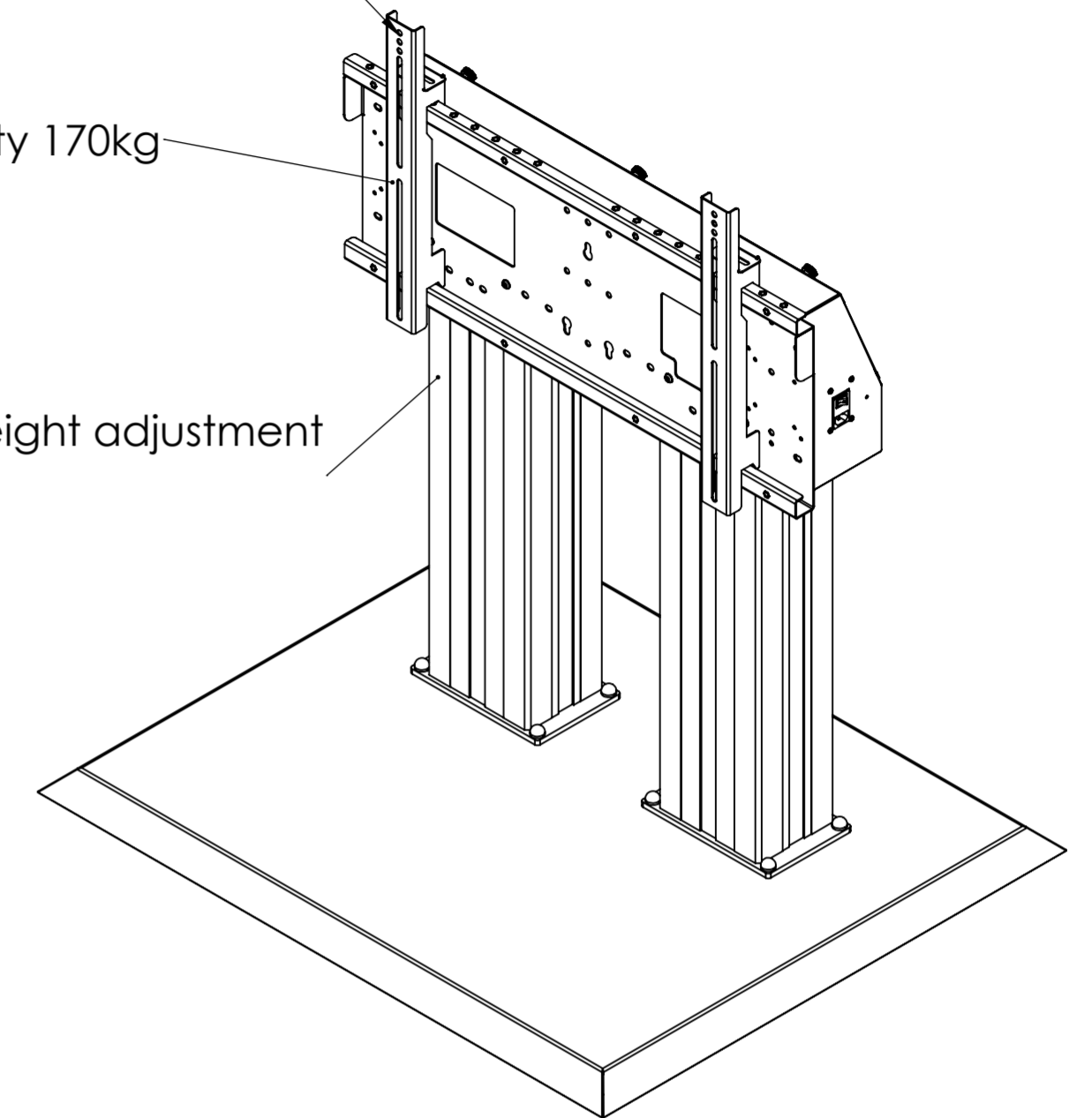
Hi-Lo Mono 500 Heavy Duty Freestanding - 8405



42-98" Screens

Max Capacity 170kg

500mm Electric height adjustment  
(915-1415mm)



**LOXKIT**  
PRODUCTS

**Loxkit Limited**  
First avenue  
Poynton Industrial Estate  
Poynton  
Cheshire  
England  
SK12 1YJ  
t: +44 (0) 845 519 5191  
w: [www.loxkit.com](http://www.loxkit.com)

The copyright of this drawing is retained by Loxit limited  
This drawing may not be reproduced without prior written permission of Loxit limited

\*Dimensions given to a tolerance of +-3mm