

## Hi-Lo Duo 680 – Trolley 8945

**-Max Capacity 100kg -Displays upto 75”**

**WARNING ! THIS IS NOT A TOY !**

**WARNING ! CHILDREN SHOULD NOT OPERATE LIFT**

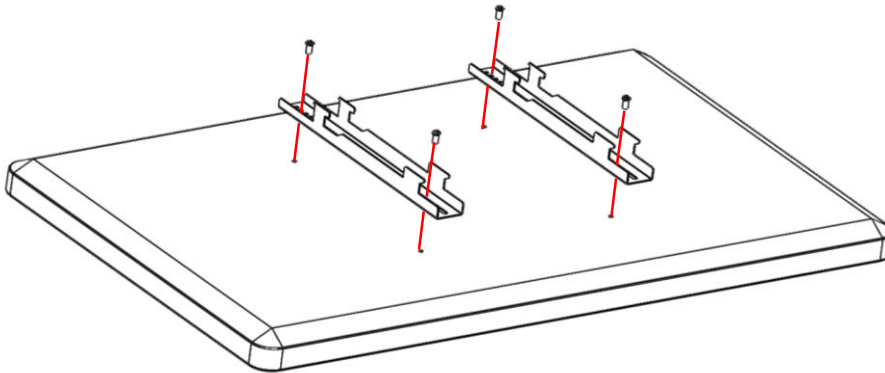
**WARNING ! THE LIFT MUST BE IN THE LOWEST POSITION WHEN MOVING IT AROUND!**

### Safety instructions

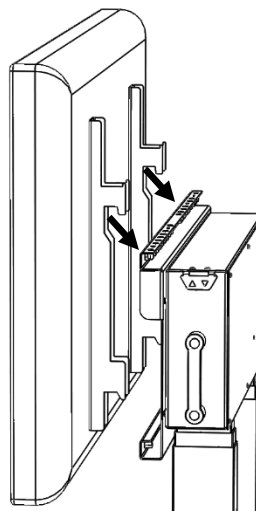
Use the following safety guidelines to help protect your lift from potential damage and to ensure your own personal safety.

- Read all the installation instructions before testing or installing your lift.
- Read and follow all safety instructions.
- To prevent bodily injury, keep hands and clothing away from the lift while the lift is in operation.
- Before installing the lift or working with its connections, unplug the lift from the mains power supply socket
- Do not place the lift in places subject to extreme temperatures for example near a radiator, or heating vent.
- The Electric lift must only be mounted in a dry area and it must ensured before use that the lift is safe or protected from liquid contact or spillage.
- Unplug the lift IMMEDIATELY in the following conditions:
  - When the power cord or plug is damaged or frayed.
  - If liquid has spilled into the lift.
  - If the lift has been exposed to rain or water.
  - If the lift exhibits a distinct change in performance, indicating a need for servicing.
- MANUFACTURERS who build this Lift into other products or use it with other products, MUST make sure to prevent bodily injury. The MANUFACTURER is responsible to give the end user proper warnings and instructions for use.
- When adding a TV or any other equipment the party adding this TV or equipment is responsible for stability and security.
- The lift should only be used on a flat floor.

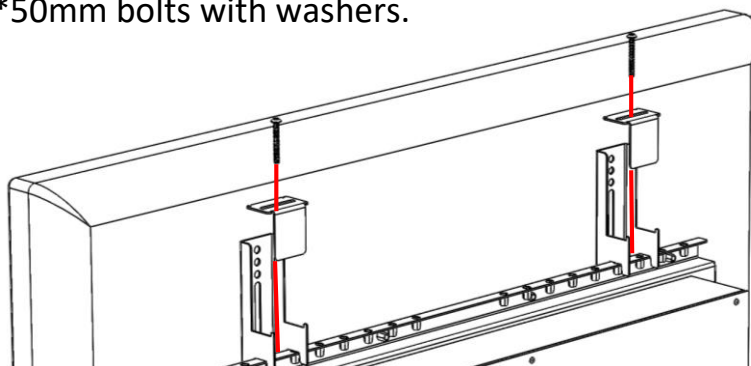
1. Attach the brackets to the back of the screen using the appropriate fixings, make sure the brackets are as central as possible.



2. Make sure the casters of the trolley are locked, then hook the screen onto the mount plate.

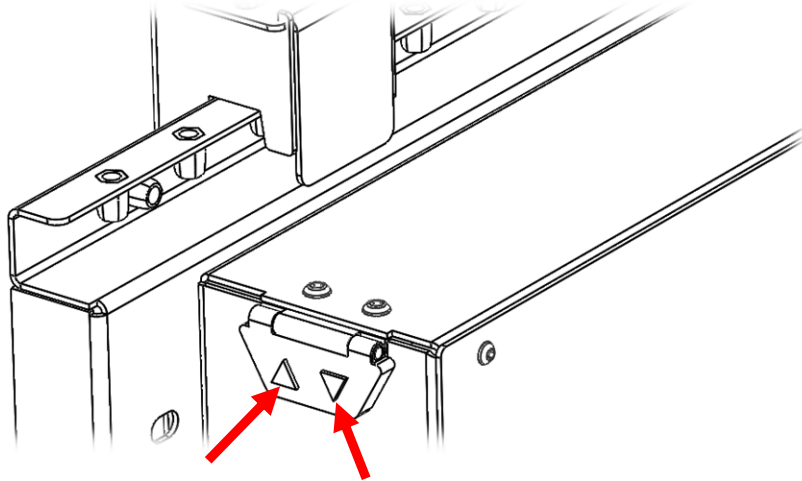


3. Secure the screen in place using the two clips and two M6\*50mm bolts with washers.



## Operating instructions

1. Before operating the product lock all casters. Then plug the power lead into the mains socket and switch on the power.
2. To operate the screen lift, use the buttons indicated to raise and lower the screen.



3. If moving the Hi-Lo Duo lift to a new location, put the lift into its lowest position. Switch off and remove the plug from the socket, coil the cable so it does not trail on the floor.
4. Unlock the casters and carefully move the Hi-Lo Duo lift to its new location, be aware of changes in level and edges which may obstruct the product.
5. When the product is in position, lock the casters and operate the product as stated in steps 1 and 2.