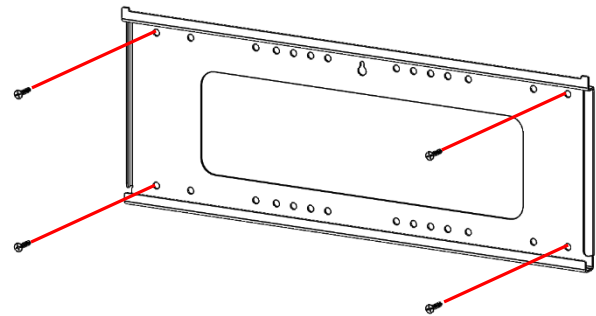


Heavy Duty Slimline Screen Wall Mount- 8485

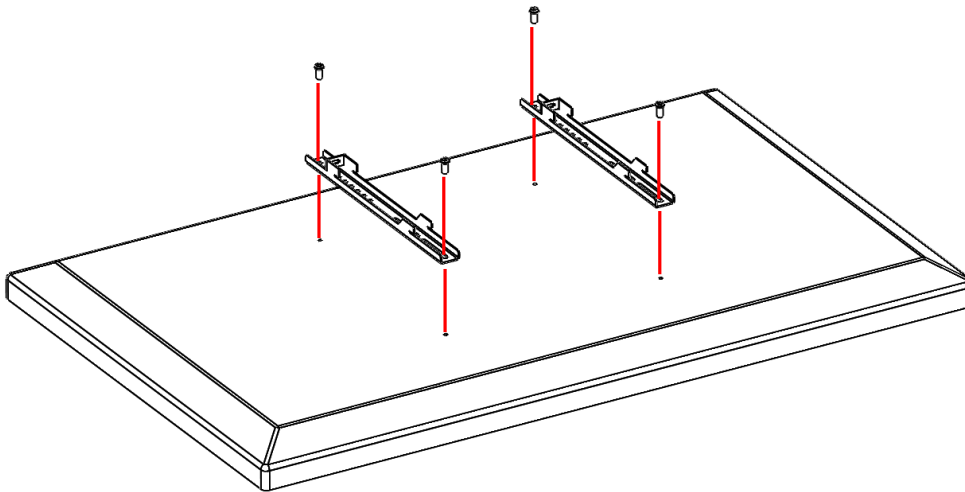
-Max VESA 600w x 400h -Max capacity 130kg

1. Position the wall plate against the wall where the bracket is to be mounted, ensure the plate is orientated as shown.

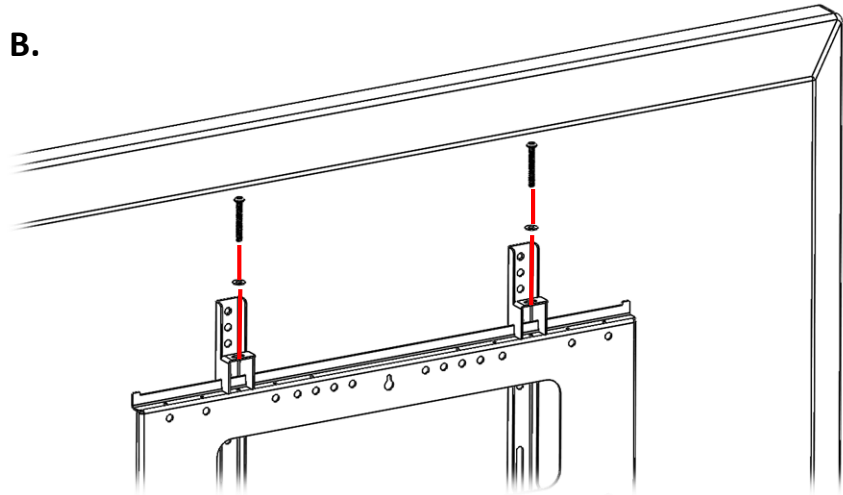
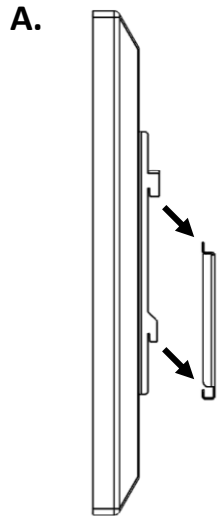
Any of the holes provided may be used to mount the plate, a minimum of 4 fixings should be used distributed across the plate. It is the responsibility of the installer to ensure the appropriate type and number of fixings is used.



2. Fix the brackets to the back of the screen using bolts of the appropriate size and length for the screen. Ensure the brackets are as central as possible on the screen.



3. **A.** Hook the screen and the brackets onto the mount plate, check that both brackets are hooked securely onto the rails.
- B.** Use the M5*50mm bolts with washers to secure the hangers to the wall plate.



Kit List

Name/Description	Qty
M5 x 50mm Bolt	2
M6 x 25mm Button head bolt	4
M6 x 16mm Button head bolt	4
M8 x 20mm Button head bolt	4
M8 x 40mm Button head bolt	4
M6 Washer	2
M8 Washer	4
4mm Allen key	1
5mm Allen Key	1
Cable tie	3