

## Mono front facing shelf 8450

**-Max capacity 5kg -460 x 275mm**

### Safety instructions

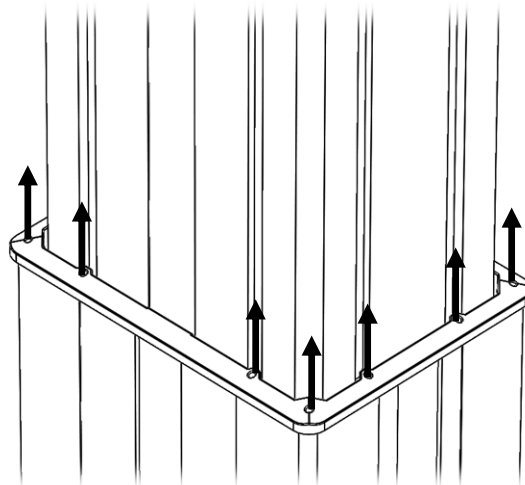
Use the following safety guidelines to help protect your lift from potential damage and to ensure your own personal safety.

- Read all the installation instructions before testing or installing your shelf.
- Do not overload the shelf.
- The installer must ensure that the screen cannot come into contact with the shelf or any objects placed on the shelf when the lift is in its lowest position. It must also be ensured that no crush hazard is created by mounting the shelf too close beneath the screen.

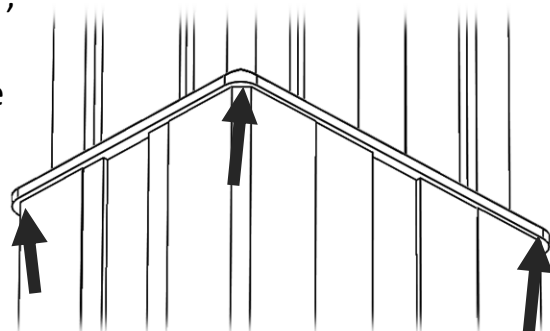
**If the mount bracket is already in place on the front of the column move to step 6.**

1. Before starting raise the mono at least 300mm.

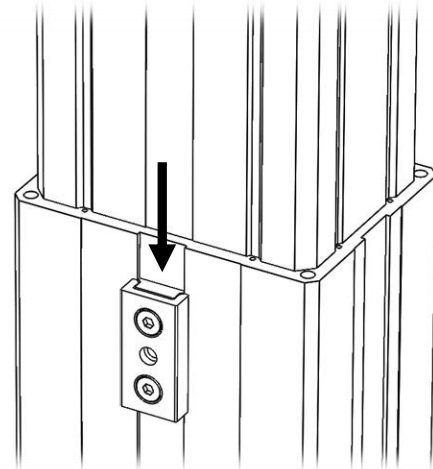
2. Remove the 12 screws holding the collar in place.



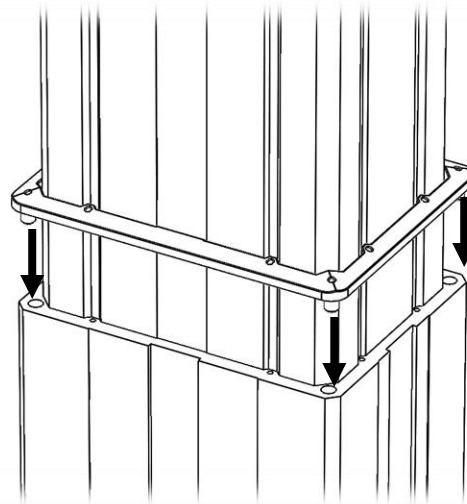
3. Apply pressure to the underside of the collar, especially in the corners. A flat headed screwdriver may be used to carefully pry the collar up. Be carefully not to scratch or gouge the column.



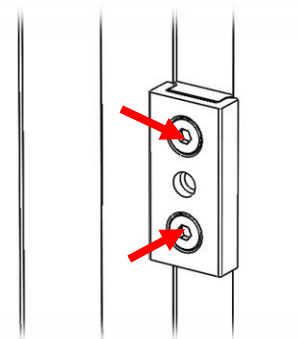
- Slide the collar up out of the way, then slide the mounting bracket into the groove on the front of the column. It may be necessary to loosen the two bolts in the mounting bracket to do this.



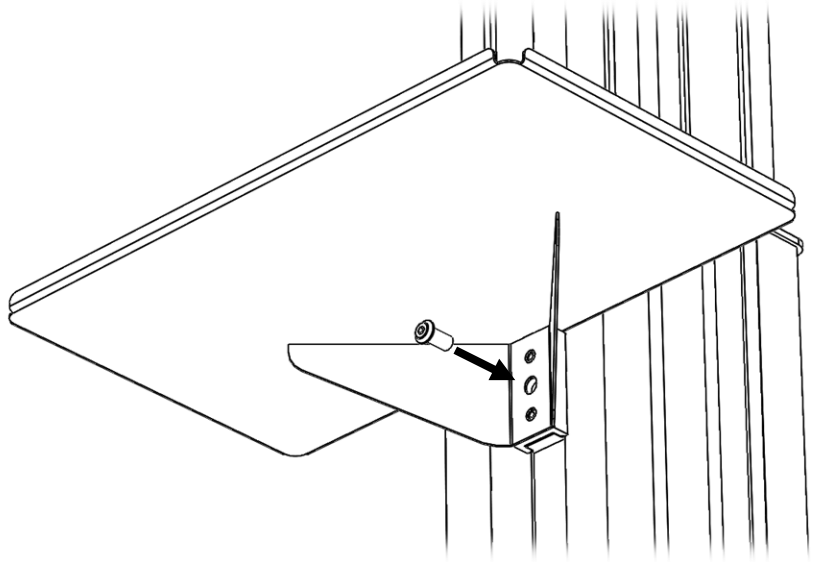
- Slide the collar back into position and push it into place, replace the 12 screws in the collar. Do not overtighten the screws.



- It is advisable to install the screen on the lift and move the lift to its lowest position before proceeding further.  
Slide the mount bracket to the desired height for the shelf and tighten the two bolts indicated.



7. Fix the shelf to the mounting bracket using the M10 bolt provided.  
Ensure that the screen will not contact the shelf when the lift is in its lowest position.  
It must also be ensured that there is sufficient space between the shelf and screen for any objects which are to be placed on the shelf, failure to do so could result in damage or injury.



8. To adjust the height of the shelf, loosen all 3 bolts, slide the shelf to its new position and re-tighten the bolts.